

## CAST STEEL PIPELINE T STRAINERS IS40T DN 1" to DN 4" (ANSI)

**DESCRIPTION**

IS40T cast steel T strainers are applicable to all types of steam, water, oil and air systems.

Their purpose is to protect steam traps, regulating valves, pressure reducing valves, piping, etc. from dirt which are often times the cause of damage and consequently energy loss of fluid systems.

Connections are flanged.

**OPTIONS:** Different screen aperture sizes  
Drain plug or drain valve in strainer cap

**USE:** Saturated steam, water, oil, air and other compatible fluids.

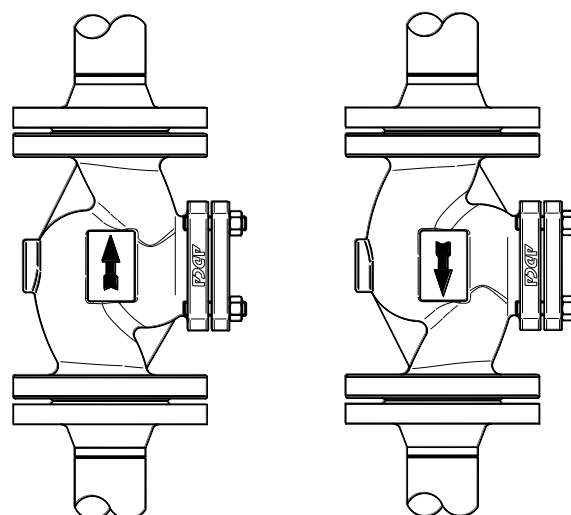
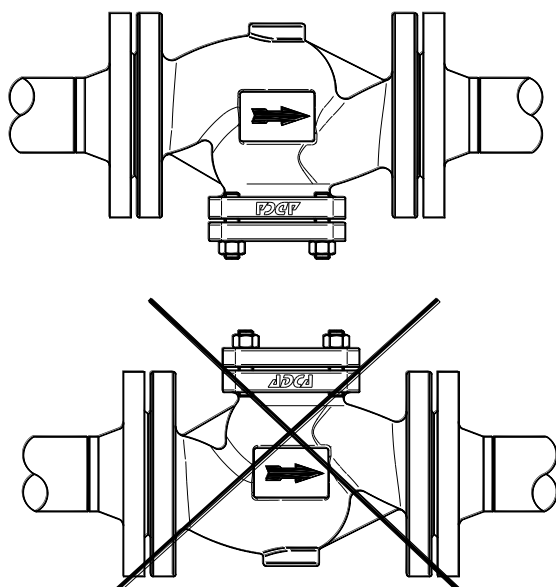
**AVAILABLE MODELS:** IS40TS – Carbon steel  
IS40TI – Stainless steel

**SIZES:** 1" to DN 4"

**SCREENS:** 0,5 mm aperture up to DN 1"  
1,5 mm aperture from DN 1 1/2" to DN 3"  
2 mm aperture DN 4"

**CONNECTIONS:** Flanged ANSI B16.5 150# and 300#

**INSTALLATION:** Horizontal or vertical installation.



CE MARKING (PED - European Directive 97/23/EC)		
ANSI 150	ANSI 300	Category
1" - 2" (DN25-50)	1" (DN25)	SEP - art. 3, paragraph 3
3"-4" (DN80-100)	1 1/2"-4" (DN40-100)	1 (CE Marked)

Note: classification for gases - Group 2, for others see IMI

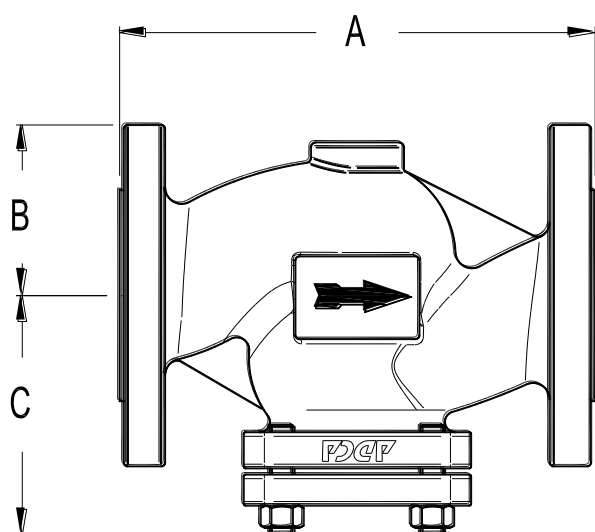
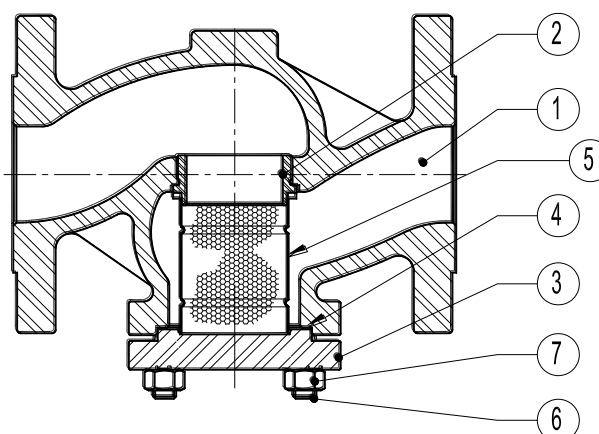
**VALVE BODY LIMITING CONDITIONS**

IS40TS - ANSI 150		IS40TS - ANSI 300		IS40TI - ANSI 150		IS40TI - ANSI 300	
ALLOWABLE PRESSURES	RELATED TEMP.	ALLOWABLE PRESSURES	RELATED TEMP.	ALLOWABLE PRESSURES	RELATED TEMP.	ALLOWABLE PRESSURES	RELATED TEMP.
19,3 bar	-10 /50° C	50 bar	-10 /50° C	18,4 bar	-10 /50° C	48,1 bar	-10 /50° C
15,8 bar	150 °C	43,9 bar	200 °C	14,8 bar	150 °C	35,8 bar	200 °C
12,1 bar	250 °C	36,9 bar	350 °C	12 bar	250 °C	30,4 bar	350 °C
8,4 bar	350 °C	34,6 bar	400 °C	8,4 bar	350 °C	29,3 bar	400 °C

**MATERIALS**

POS.	DESIGNATION	MATERIAL IS40TS	MATERIAL IS40TI
1	Body	ASTM A216WCB/1.0619; GP240GH / 1.0619	CF8M / 1.4408
2	Centering ring	AISI304 / 1.4301	AISI304 / 1.4301
3	Cover	AISI304 / 1.4301	AISI304 / 1.4301
4	*Gasket	St.Steel / Graphite	St.Steel / Graphite
5	*Screen	AISI304 / 1.4301	AISI304 / 1.4301
6	Studs	Steel	A2 - 70
7	Nuts	Steel	A2 - 70

\* Available spare parts


**DIMENSIONS (mm)**

SIZE	A ** ANSI 300	B ANSI 150	B ANSI 300	C	G *	WGT. Kgs
1"	197	54	62	80	1/2"	5,3
1 1/2"	235	63,5	78	105	1/2"	9,6
2"	267	76	82,5	115	1/2"	14
3"	317	95	105	155	1/2"	27,9
4"	368	114,5	127	165	1/2"	34,6

\* Other on request

\*\* ANSI 150 is drilled with the same length

