

NO	DESCRIPTION	QTY	MATERIAL
1	HANDWHEEL	1	ASTM-A.126 GrB
2	FLANGE	1	SAE-1020
3	STEM NUT	1	ASTM B.16
4	BONNET	1	ASTM-A.126 GrB
5	GLAND FOLLOWER	1	ASTM-A.126 GrB
6	BOLT	2	SAE-1020
7	PACKING	6	GRAFOIL
8	BOLT/NUT	-	SAE-1020
9	BACK SEAT	1	ASTM B16
10	STEM	1	ROLLED BRASS ASTM-B.124
11	GATE	1	ASTM-A.126 CL. B WITH BRASS TRIM
12	SEAT RING	2	BRASS ASTM-AB.584 857
13	BODY	1	ASTM A126 Grb
14	GASKET	1	GRAFOIL

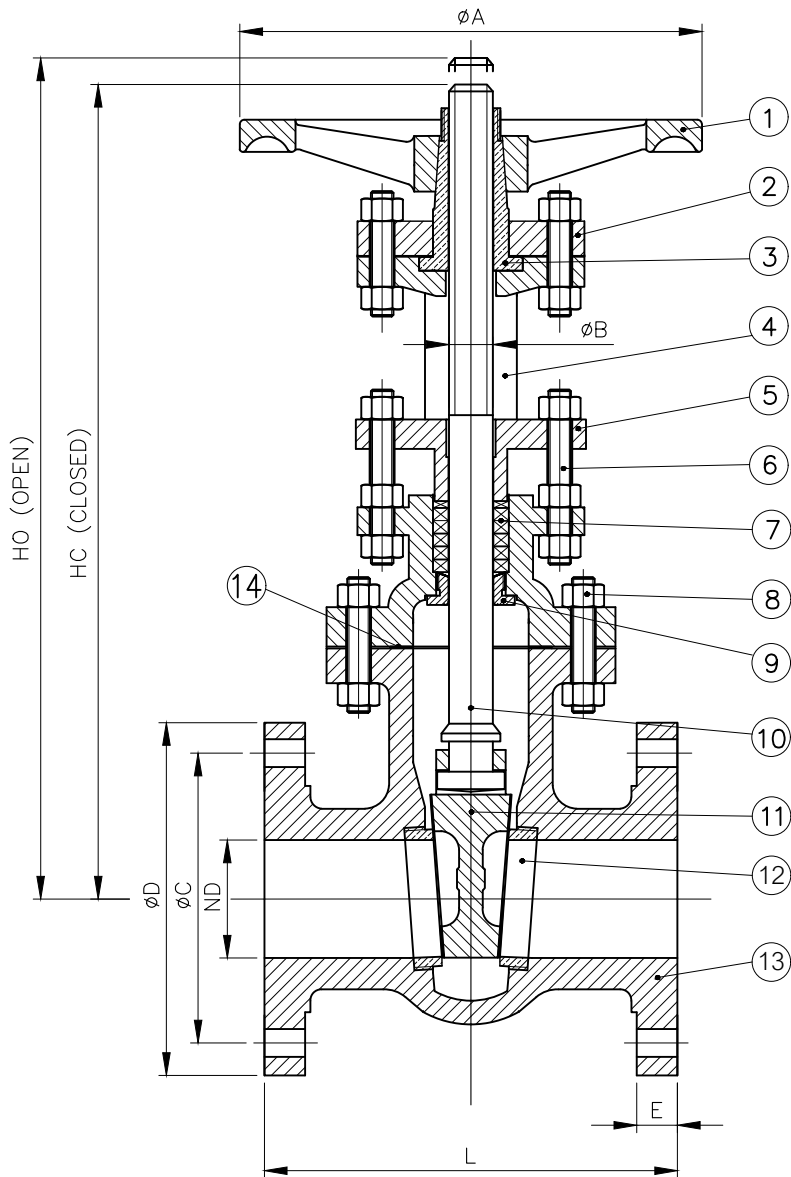
DIMENSIONS								
ND (inch)	ØA (mm)	ØB (mm)	ØD (mm)	E (mm)	HO (mm)	HC (mm)	L (mm)	WEIGHT (kg)
2"	200	19	152.4	16	370	310	178	18
2.1/2"	200	19	178	17.5	385	315	191	20
3"	250	22.2	190.5	19	460	385	203	27
4"	275	25.4	228.6	23.8	550	445	228	41
5"	275	25.4	254	23.8	615	485	254	48
6"	300	28.5	279.4	25.4	715	565	267	74
8"	400	31.7	342.9	28.4	920	700	292	124
10"	400	34.9	406.4	30.2	1270	1000	330	188
12"	500	38.1	482.6	31.7	1380	1075	356	275

TECHNICAL:

WORKING PRESSURE
 3"-12" Water, oil or gas 66°C 13,80 BAR
 Steam 232°C 8,60 BAR
 14"-16" Water, oil or gas 66°C 10,30 BAR
 Steam 232°C 6,90 BAR

TEST PRESSURE
 3"-12" Body 20,70 BAR
 Seat 13,80 BAR
 14"-16" Body 15,90 BAR
 Seat 10,30 BAR

- Flanged ASA150 undrilled
- Rising Spindle
- Backseating



DESCRIPTION:

FIG.273 GATE VALVE CLASS 125

SHT NO:	REV:	SCALE:	MANUFACTURER:
018	00	AS SHOWN	NIAGARA



ROLYN ENGINEERING

TEL: 014 596 6266
 FAX: 014 596 6393
 EMAIL: sales@rolynengineering.co.za

73 van Belkum Street
 Rustenburg
 South Africa